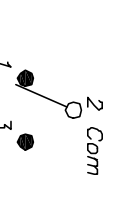


PANEL THICKNESS
1.52 TO 3.18

* DIMENSION IS 15.75/15.88
FOR PANEL THICKNESS BETWEEN
1.52mm TO 3.18mm

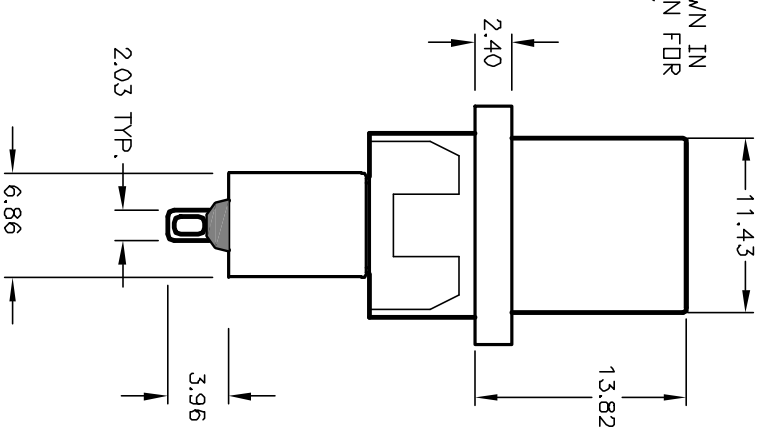
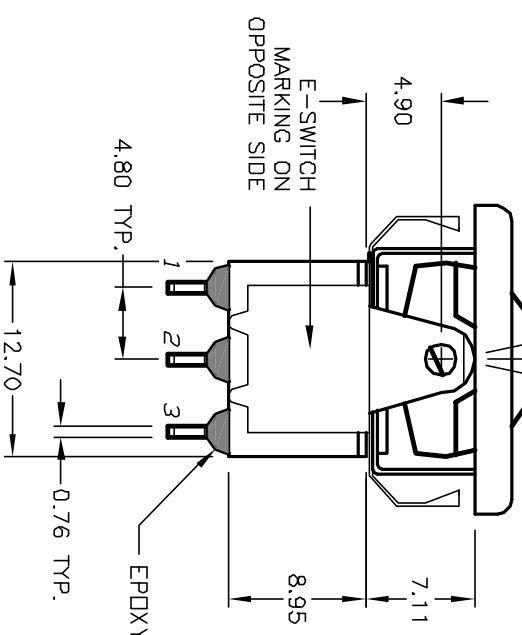
ACTUATOR SHOWN IN
MIDDLE POSITION FOR
REF. ONLY



CIRCUIT: SPDT

SWITCH FUNCTION			
PDS. 1	PDS. 2	PDS. 3	
DN	NDNE	<DN>	
2-3	DPEN	2-1	

< > = MOMENTARY



- NOTES:
1. ALL DIMENSIONS IN MM
 2. GENERAL TOLERANCE: X.X=±0.4 X.XX=±0.25
 3. TERM. NOS. FOR REF. ONLY
 4. RATING: 5A @120VAC OR 2BVDC 2A @250VAC
 5. MATERIAL: FIXED TERMINAL & MOVING CONTACT
Copper Alloy w/Silver Plate
 6. CONTACT RESISTANCE: 10mILLI Ohms max initial @2-4VDC, 100mA for AG & AU
 7. ELECTRICAL LIFE: 50,000 make-and-break cycles at full load.
 8. INSULATION RESISTANCE: 1,000M Ohm min.
 9. DIELECTRIC STRENGTH: 1000V RMS @sea level
 10. OPERATING TEMP.: -30°C to 85°C

E-SWITCH®

REV.	ECN No.	DESCRIPTION	DATE	CHKD	SCALE	DATE	DR	DWG	REV
A	12263	RELEASED FOR PRODUCTION	6/25/02	CB	2:1	6/25/02	CB	T312016	A
THE INFORMATION CONTAINED IN THIS DOCUMENT IS PROPRIETARY TO E-SWITCH AND IS NOT TO BE COPIED OR TRANSFERRED									
TITLE: 300 SP-2 R7 BLK M1 Q E BLK									